

Miele

Operating and installation instructions




Refrigerator with dynamic cooling K 851 iD

It is **essential** to read these operating instructions before installing or using the machine, to avoid the risk of accident or damage to the machine.



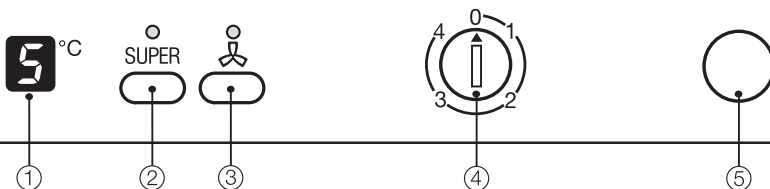
M.-Nr. 05 578 481

Contents

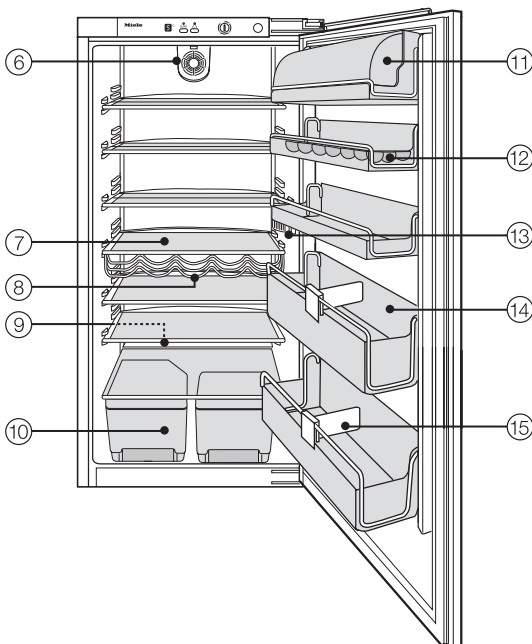
Description of the appliance	3
Caring for the environment	4
Warning and safety instructions	5
Operation	8
Switching off for longer periods of time	8
The correct temperature	9
. . . in the refrigerator	9
Temperature selection	9
Temperature display	9
Super cool and dynamic cooling	10
Super cool	10
Dynamic cooling 	10
Storing food	11
Adjusting the interior fittings	12
Moving the shelves	12
Split shelf	12
Adjusting door shelves	12
Moving the bottle divider	12
Chilling and storing food.	13
Important notes:	13
Food which should not be stored in a refrigerator	13
Defrosting	14

Cleaning and care	15
Cleaning the interior and accessories	15
Ventilation gaps	15
Door seal	16
Problem solving guide	17
After Sales Service	19
Electrical connection	20
Installation	22
Location	22
Climate range	22
Ventilation	22
Before installation	22
Tools required	23
Building into a peninsular run	23
If the old appliance had a different hinging system	23
Building in dimensions	24
Changing the door hinging	25
Building in the appliance	27
Fitting the furniture door	29

Description of the appliance



- ① Temperature display
- ② Super cool button and indicator light
- ③ Dynamic cooling button and indicator light
- ④ On/Off and temperature selector dial
- ⑤ Light contact switch



- ⑥ Fan for dynamic cooling
- ⑦ Shelves
- ⑧ Bottle rack
- ⑨ Condensate channel and drain hole
- ⑩ Fruit and vegetable containers
- ⑪ Butter and cheese compartment
- ⑫ Egg trays
- ⑬ Interior lighting
- ⑭ Adjustable door shelf
- ⑮ Divider

Disposal of the packing material

The transport and protective packing has been selected from materials which are environmentally friendly for disposal and can normally be recycled.

Rather than just throwing these materials away, please ensure they are offered for recycling.

Ensure that any plastic wrappings, bags etc. are disposed of safely and kept out of the reach of babies and young children. Danger of suffocation!

Disposal of your old appliance

Old appliances contain materials which can be reclaimed or recycled. Please contact your dealer, your waste collection centre or scrap merchant about potential recycling schemes.

Make sure that the pipework is not damaged whilst moving an old appliance. This is to ensure that the refrigerant and oil in the compressor cannot leak into the environment. It is important that they are disposed of in a safe manner by authorised persons only.

Ensure that the appliance presents no danger to children while being stored for disposal.

See the appropriate section in the Warning and safety instructions.

Warning and safety instructions

This appliance complies with all relevant legal safety requirements. Improper use of the appliance can, however, present a risk of both personal injury and material damage.

Before installation and before using for the first time, read the operating instructions carefully. They contain important notes on safety, the operation and care of the appliance. This way you will avoid the risk of accidents and damage to the appliance.

Keep these instructions in a safe place and pass them on to any future user.

Correct usage

■ This appliance is intended for domestic use only for the cool storage of foodstuffs. Any other usage is not supported by the manufacturer and could be dangerous. The manufacturer cannot be held responsible for damage caused by improper use of the appliance.

Technical safety

■ This appliance contains the coolant Isobutane (R600a), a natural gas which is very environment friendly. Although it is flammable, it does not damage the ozone layer and does not increase the green house effect. The use of this environment friendly coolant has, however, led to a slight increase in the noise level of the appliance. In addition to the noise of the compressor you might be able to hear the coolant flowing around the system. This is unavoidable, but does not have any adverse effect on the performance of the appliance.

Care must be taken during transportation and setting up of the appliance that no parts of the cooling system are damaged. Leaking coolant can damage the eyes.

In the event of any damage:

- avoid open fires and anything which creates a spark,
- disconnect from the mains,
- air the room in which the appliance is located for several minutes and
- contact the Service Department for advice.

■ The more refrigerant there is in an appliance the larger the room it should be installed in. In the event of a leakage, if the appliance is in a small room, there is the danger of combustible gases building up. For every 8 g of coolant at least 1 m³ room space is required. The amount of coolant in the appliance is stated on the data plate inside the appliance.

Warning and safety instructions

Before connecting the appliance to the mains supply, make sure that the rating on the data plate corresponds to the voltage and frequency of the household supply.

This data must correspond in order to avoid risk of damage to the appliance. If in any doubt, consult a qualified electrician

The electrical safety of this appliance can only be guaranteed when continuity is complete between the appliance and an effective earthing system which complies with local and national regulations. It is most important that this basic safety requirement is tested by a qualified electrician.

The manufacturer cannot be held responsible for the consequences of an inadequate earthing system (e.g. electric shock).

Safe operation of the appliance is only assured if it has been installed and connected in accordance with these operating and installation instructions.

This equipment is not designed for maritime use or for use in mobile installations such as caravans, aircraft etc. However it may be suitable for such usage subject to a risk assessment of the installation being carried out by a suitably qualified engineer.

Installation work, maintenance and repairs may only be carried out by suitably qualified and competent persons.

Repairs and other work by unqualified persons could be dangerous and the manufacturer will not be held responsible.

Ensure current is not supplied to the appliance while maintenance or repair work is being carried out.

The appliance is only completely isolated from the electricity supply when:

- the plug has been withdrawn. Do not pull on the cable, only on the plug.
- the mains fuse is withdrawn.
- or the screw-out fuse is removed (in countries where this is applicable).

Do not connect the appliance to the mains electricity supply by an extension lead.

Extension leads do not guarantee the required safety of the appliance. (e.g. danger of overheating).

Use

Never store explosive materials in the appliance. Switching on thermostats and the interior light may produce sparks which could present a fire hazard.

If storing alcohol with a high percentage proof, make sure it is tightly closed and stored upright. Danger of explosion.

Observe the "use by" dates given on food to avoid the risk of food poisoning.

Storage times will depend on several factors including the freshness and quality of the food as well as the temperature at which it is stored. Follow the instructions given on food manufacturer's packaging on storage conditions required as well as the "use by" date.

Warning and safety instructions

■ Never place electric heaters or candles in the appliance to defrost it. These can damage the plastic parts.

■ Do not use defrosting sprays, or de-icers as they could contain substances which could damage the plastic parts and which may cause the build up of gases and pose a danger to health.

■ Do not use any grease or oil on the door seals. These cause the seals to become porous in the course of time.

■ Do not block the ventilation gaps in the plinth or the top of the appliance housing unit as this would impair the efficiency of the appliance, increase the electricity consumption and could cause damage to the appliance.

■ The appliance is designed for use within certain climate ranges (ambient temperatures). It must not be used in ranges for which it is not designed. The climate range for your appliance is stated on the data plate inside the appliance. Installing it in a room with too low an ambient temperature will lead to the appliance switching off for longer periods so that it cannot maintain the required temperature.

■ Never use steam cleaning apparatus to defrost or clean the appliance. The steam could attack the electrical components and cause a short circuit.

■ In countries where there are areas which may be subject to infestation by cockroaches or other vermin, pay particular attention to keeping the appliance and its surroundings in a clean condition at all times. Any damage which may be caused by cockroaches or other vermin will not be covered by the appliance guarantee.

Disposal of old appliances

■ Before disposing of an old appliance first make the door latch or lock unusable. This way you will prevent children from accidentally locking themselves in and endangering their lives.

■ Before disposing of an old appliance, unplug it and render the plug useless. Cut off the cable directly behind the appliance and at the plug to prevent misuse.

■ Be careful not to damage any part of the pipework whilst awaiting disposal, e.g. by

- puncturing the refrigerant channels in the evaporator.
- bending any pipework.
- scratching the surface coating.

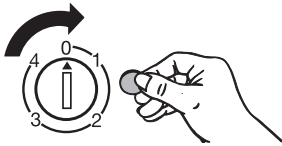
Splashes of refrigerant can damage the eyes.

The manufacturer cannot be held liable for damage caused by non-compliance with these safety instructions.

Before using for the first time

- Clean the inside of the appliance and the accessories with luke warm water and a little washing up liquid and then dry using a soft cloth.

Switching on



- Using a coin turn the On/Off dial in a clockwise direction away from the "0" position.

Forcing it beyond its range would damage it. Turn it only as far as it will go, then turn it back again.

An **B** will flash briefly in the temperature display followed by a bar lighting up. The appliance starts cooling. The interior light will come on if the door is opened.

Switching off

- Using a coin turn the On/Off dial in an anti-clockwise direction back to the "0" position.

The temperature display goes out. The cooling process and the interior light are switched off.

Switching off for longer periods of time

If the appliance is not going to be used for a longer period of time, e.g. whilst on holiday

- switch the appliance off at the mains,
- withdraw the plug (pull on the plug and not the cable),
- clean the appliance out and
- leave the door ajar to air the appliance

If, during a long absence, the appliance is switched off but not cleaned out and the door is left shut there is a danger of mould and odours building up inside the appliance.

The correct temperature

It is very important to set the correct temperature for storing food in the appliance. Micro organisms will cause food which is not stored at the correct temperature to deteriorate rapidly. Temperature influences the growth rate of these micro organisms. Reducing the temperature reduces their growth rate.

The temperature in the appliance will rise:

- the more often the door is opened and the longer it is kept open,
- if too much food is stored in it at once,
- the warmer the food is which is being put into it,
- the higher the ambient temperature surrounding the appliance.

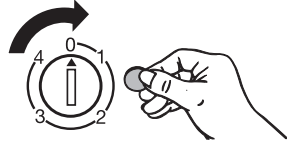
The appliance is designed for use in specific ambient temperatures (climate ranges). Do not use in ambient temperatures for which it is not designed.

... in the refrigerator

We recommend a temperature of **5 °C** in the middle of the refrigerator section.

Temperature selection

The temperature is set with the temperature dial.



- Using a coin turn the temperature dial in a clockwise direction to the required setting.

Turn it only as far as it will go, then turn it back again. Turning it beyond its range would damage it.

The higher the setting, the lower the temperature in the appliance.

With normal use a setting of between **2 and 3** is usually sufficient.

Temperature display

During normal operation the temperature display on the control panel shows the temperature in the warmest part of the appliance.

If the temperature in the appliance is not within the range which can be displayed, i.e. between 2 and 9 °C, only a bar will show in the temperature display.

Natural air circulation inside the appliance will mean that there are areas inside the appliance which will be warmer or colder than the temperature displayed. As long as dynamic cooling has not been engaged this is quite normal.

Make use of the different temperature zones for storing your food correctly.

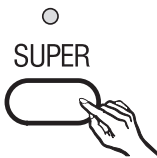
Super cool and dynamic cooling

Super cool

The Super cool function can be used to rapidly reduce the temperature to approx. 2 °C.

Switching on the Super cool function

Super cool is particularly recommended for faster chilling of large loads of fresh food or drink.



- Press the Super cool button, the Super cool indicator light will come on.

The appliance works at full power to lower the temperature in the appliance.

Switching off the Super cool function

The Super cool function switches itself off automatically after approx. 6 hours. The indicator light goes out and the appliance continues running at normal power.

To save energy the Super cool function can be switched off once food and drinks are sufficiently chilled.

- Press the Super cool button. The Super cool indicator light will go out.

The appliance continues running at normal power.

Dynamic cooling


With dynamic cooling the temperature inside the appliance is distributed to all areas more evenly. All food stored in the appliance will be chilled to about the same degree. The temperature is controlled as normal with the temperature dial.

Dynamic cooling should be selected when:

- the ambient temperature in the room is high (above approx. 30 °C) and
- the room humidity level is high.


Switching on dynamic cooling



- Press the dynamic cooling button . The dynamic cooling indicator light will come on.

Switching off dynamic cooling

When dynamic cooling is switched on the appliance uses more energy. It should therefore be switched off when the room temperature is normal (below 30 °C) and when humidity levels are normal.

- Press the dynamic cooling button . The dynamic cooling indicator light will go out.

Storing food

Natural air circulation gives rise to different temperature zones inside the appliance. Cold, heavy air sinks to the lowest section of the appliance.

Make use of the different zones when placing food in the appliance.

The **coldest zones** are against the back wall and above the vegetable containers. Use the area above the vegetable containers for perishable foods such as meat, sausage, fish etc.

The **warmest zone** is in the top section of the door. Use this area for storing butter and cheese.

Loading examples

- When placing food in the appliance load the top shelves first and work your way down to the bottom starting with baked goods, pre-cooked foods and milk products and finishing with meats, fish and sausages.
- Use the vegetable containers for storing vegetables, salad and fruit.

Not all fruit and vegetables should be stored together in the same container as they give off natural gases which affect the perishability of other foods. (See section "Chilling and storing food").

- Fill the door shelves from the top to the bottom.
Start with butter, cheese, small tins, bottles and tubes in the upper shelves, followed by large bottles, juice containers and milk in the bottom shelves.

Do not store cooking oil in the appliance door.
Traces of oil can cause stress cracks to occur in the plastic components in the door.

Adjusting the interior fittings

Moving the shelves

The shelves can be adjusted according to the height of the food.

- Pull the shelves forward as far as they will go then lift them upwards to remove them.
- With the rear barrier facing upwards place the shelf at the required position.
The rear barrier must face upwards to prevent food from touching the back of the appliance and freezing to it.

Split shelf

(depending on model)

In order to accommodate tall items in the appliance one of the shelves is divided. The front section can be taken out to allow space for tall items standing on the shelf below.

Adjusting door shelves

- Push the door shelf upwards then remove it by pulling it forwards.
- Replace the door shelf at the required position. Ensure that it is securely pushed back into position.

Moving the bottle divider

The bottle divider can be moved to the left or right to ensure that bottles are held securely in position when the door is opened and shut.

Chilling and storing food

Important notes:

Use the different cooling zones for storing food correctly. See the section on loading examples.

- Food must not touch the back wall of the appliance. Otherwise it may freeze to the back wall.
- Do not store explosive materials in the appliance or any products containing combustible gas (e.g. spray cans). Danger of explosion.
- If storing alcohol with a high percentage proof, make sure it is tightly closed, and store upright.
- Hot food and drinks must be cooled to room temperature before placing them in the appliance.
- Store food covered or packaged. This way you will prevent food smells or tastes from affecting other foods and prevent food from drying out. Fruit and vegetables may, however, be stored loose in the vegetable containers.
- Do not store groceries too close to each other. Space should be left between individual items for air to circulate.
- Do not keep the door open for too long when putting food in and taking it out of the appliance. This will help save energy.

Food which should not be stored in a refrigerator

Not all food is suitable for refrigeration. These include:

- Fruit and vegetables such as bananas, avocado pears, papaya, passion fruit, aubergines
- Fruit which is not yet ripe
- Potatoes

Some types of vegetables give off a natural gas which speeds up the rate at which food perishes. Some fruit and vegetables react strongly to this gas and should not be stored together in the vegetable containers.

Examples of fruit which produce a large amount of this natural gas are:

Apples, passion fruit, apricots, pears, nectarines, peaches, plums, avocado pears, papayas and figs.

Examples of fruit and vegetables which react strongly to the natural gases given off by other types of fruit and vegetables are:

Kiwis, broccoli, cauliflower, brussels sprouts, mangos, honeydew melons, apples, apricots, cucumbers, tomatoes, bananas, avocado pears, pears, nectarines and peaches.

Condensate and frost can build up on the back wall of the appliance whilst it is in use. These are automatically removed and defrosted by the appliance.

The condensate is drained away via a channel and drain hole into an evaporation system at the back of the appliance.

Ensure that the condensate channel and drain hole are never blocked so that condensate can flow away without hindrance.

Cleaning and care

Never use cleaning agents containing abrasive substances such as sand, soda, acids or chemical solvents.

"Non-abrasive" cleaning agents are also unsuitable as they can cause matt areas to appear.

Door fronts should be cleaned using a solution of warm water with mild detergent applied with a soft cloth or with a suitable cleaning agent for the type of door panel fitted.

Make sure that no water can penetrate into the electronic unit or into the light.

Do not let water get into the drainage channel and drain hole when cleaning.

Never use steam cleaning apparatus to defrost or clean the appliance. The steam could attack the electrical components and cause a short circuit.

The data plate located inside the appliance must not be removed. It contains information which is required in the event of a service call.

Before cleaning

- Switch the appliance off by turning the On/Off dial to the "0" position.
- Take any food out of the appliance and store it in a cool place.
- Take out any removable parts e.g. shelves for cleaning.

Cleaning the interior and accessories

Use lukewarm water with a little mild detergent. Accessories and shelves should all be hand washed. The butter dish is, however, dishwasher safe.

- Clean the appliance at least once a month.
- Clean the condensate channel and drain hole frequently, so that condensate can drain away unhindered. Use a straw or similar to clear the drain if necessary.
- Wipe the interior and accessories with a damp cloth and dry with a soft cloth. Leave the door open to air for a short while.

E-Cloth

- A microfibre "E-Cloth" is available from the Miele UK Spare Parts Department, Part Number 980 13530, which is suitable for cleaning surfaces such as stainless steel, glass, plastic and chrome without the use of chemicals.

Ventilation gaps

- The ventilation gaps should be cleaned on a regular basis with a brush or vacuum cleaner. A build up of dust will increase the appliance's energy consumption.

Door seal

Do not use any oils or grease on the door seals as these will cause the seals to deteriorate and become porous with time.

The door seals should be cleaned regularly with clean water and then wiped dry with a soft cloth.

After cleaning

- Replace all shelves and accessories in the appliance.
- Switch the appliance on with the On/Off dial.
- Place food back in the appliance and close the door.

Problem solving guide

Repairs to electrical appliances should only be carried out by a suitably qualified and competent person in accordance with local and national safety regulations. Unauthorised repairs could be dangerous.

The following faults can be corrected without contacting the Miele Service Department.:

What to do if . . .

. . . strange noises can be heard after switching on the appliance, especially after it has just been installed.

- Check to see whether any pieces of furniture next to the appliance are vibrating whilst the appliance is in operation.

Switch the appliance off then:

- Check whether the appliance is aligned correctly.
- Check whether all parts at the rear of the appliance are free from hindrance. Remove any hindrance.
- Check whether the cable clips were unclipped from the back of the appliance before installation. They could vibrate when the appliance is operating.
- Are all removable parts securely located in the appliance?
- Are bottles or containers touching each other?

Remember that the noise of the compressor and the coolant circulating in the system is unavoidable.

. . . the appliance does not get cool.

- Make sure that the temperature dial is not pointing to the "0" position.
- Check that the plug is correctly inserted in the socket.
- Check that the fuse is not defective and that the mains fuse has not blown. If it has, contact the Miele Service Department.

. . . the temperature in the appliance is too low.

- Turn the temperature dial to a setting closer to "0".
- The super cool function has not been switched off. The indicator light is still on.

. . . The appliance is switching on too frequently and for too long.

- Check whether ventilation gaps in the plinth and in the housing unit at the top have been covered over or become too dusty.
- The door has been opened too frequently.
- Check that the door has been properly closed.

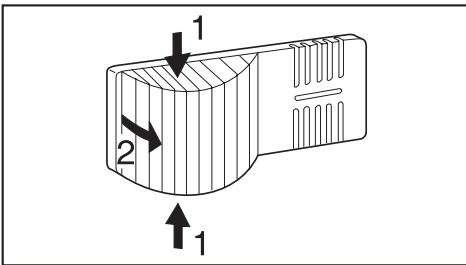
... nothing is showing in the temperature display or only a bar is lit up / flashing.

- Check that the temperature dial is at a position between "1" and "4".
- Check the temperature display about 6 hours after switching on the appliance. It will only display a temperature if the temperature inside the appliance is between 2 °C and 9 °C.

... the interior light does not work although the appliance is working.

- Check to see whether the light switch can be moved.

If it moves, the light bulb could be defective and need to be replaced:



- Disconnect the appliance from the mains. Switch off at the wall and withdraw the plug from the socket (pull by the plug not the cable), or disconnect the mains fuse or remove the screw-out fuse in countries where this is applicable.
- Press the sides of the lamp cover inwards, disengage the cover and unclip it at the rear.

- Unscrew the bulb and replace it with a new one.

Bulb specification:

220 – 240 V, max. 25 W, E 14 fitting

- When fitting in the new bulb make sure that it is correctly fitted.
- Clip the lamp cover back in at the rear and then press it into position from the sides.

... the floor of the appliance is wet.

The drain hole has become blocked.

- Clean the condensate channel and drain hole.

If you still cannot remedy the fault having followed these suggestions, then contact the Miele Service Department.

To prevent unnecessary loss of temperature it is advisable not to open the door whilst waiting for the appliance to be serviced.

After Sales Service

In the event of a fault which you cannot correct yourself, or if the appliance is under guarantee please contact:

- Your Miele Dealer

or

- The Miele Service Department
(see back cover for address).

When contacting the Service Department, please quote the model and serial number of your appliance, both of which are shown on the data plate inside the appliance.

Please note that telephone calls may be monitored and recorded to improve our service.

All electrical work should be carried out by a suitably qualified and competent person in accordance with local and national safety regulations.

Connection should be made via a suitable switched socket which is easily accessible.

U.K., ZA: The appliance is supplied with a mains cable and moulded plug ready for connection to an a.c. single phase 230 V 50 Hz supply. The fuse rating is 13 amps.

AUS: The appliance is supplied with a mains cable and moulded plug ready for connection to an a.c. single phase 240 V 50 Hz supply. The plug rating is 10 amps.

NZ: The appliance is supplied with a mains cable and moulded plug ready for connection to an a.c. single phase 230 V 50 Hz supply. The plug rating is 10 amps.

Do not connect the appliance to the mains electricity supply by an extension lead. Extension leads do not guarantee the required safety of the appliance (e.g. danger of overheating).

The appliance must not be connected to an inverter and must not be used with a plug adapter as these can cause damage to the appliance's electronic unit.

For U.K.: For extra safety it is advisable to install a residual current device (RCD) with a trip current of 30 mA (in accordance with DIN VDE 0664, VDE 0100 Section 739).

Important UK

If this machine is fitted with a non-rewireable plug (BS 1363), the following information applies:

If the socket outlets are not suitable for the plug supplied with this product, it must be cut off and an appropriate plug fitted.

The fuse carrier and the fuse should be removed from the old plug and disposed of. The plug cut from the flexible cord should then be disposed of and on no account be inserted into any socket elsewhere in the house (electric shock hazard).

The fuse cover must be re-fitted when changing the fuse, and if the fuse cover is lost, the plug must not be used until a suitable replacement is obtained. The colour of the correct replacement cover is that of the coloured insert in the base of the plug, or the colour that is embossed in words in the base of the plug (as applicable to the design of the plug fitted).

The correct fuse rating of the replacement fuses that are ASTA approved to BS 1362 should be fitted. Replacement fuse covers may be purchased from your local electrical supplier, or Miele Service agent.

Electrical connection

Important

The wires in the mains lead are coloured in accordance with the following code:

Green/yellow = earth
Blue = neutral
Brown = live

As the colours of the wires in the mains lead of this appliance may not correspond with the coloured markings identifying the terminals in your plug, proceed as follows:

- The wire which is coloured green and yellow must be connected to the terminal in the plug which is marked with the letter E or by the earth symbol (\perp) or coloured green or green and yellow.
- The wire which is coloured blue must be connected to the terminal which is marked with the letter N or coloured black.
- For U.K., ZA: The wire which is coloured brown must be connected to the terminal which is marked with the letter L or coloured red.
- For AUS, NZ: The wire which is coloured brown must be connected to the terminal which is marked with the letter A or coloured red.

WARNING
THIS APPLIANCE MUST BE
EARTHED

This appliance must be built in, otherwise it could tip up.

Location

The appliance should be installed in a dry, well-ventilated room.

The room temperature should not go above or below the climate range for which the appliance is designed. The higher the ambient temperature of the room the more energy the appliance requires to operate. It should not be installed where it is exposed to direct sunlight or directly adjacent to a heat-producing appliance such as an oven or a radiator.

Climate range

The appliance is designed for a particular climate range (ambient room temperature), and should not be used outside this range. The climate range of this appliance is stated on the data plate inside the appliance.

Climate range	Ambient room temperature
SN	+10 °C to +32 °C
N	+16 °C to +32 °C
ST	+18 °C to +38 °C
T	+18 °C to +43 °C

Operating in a room which is too cold will cause the cooling system to switch off for too long.

Ventilation

Air at the rear of the appliance gets warm. The appliance housing unit must be constructed to allow sufficient space for ventilation. Miele kitchen units are designed to provide this ventilation.

A ventilation gap of at least 50 mm depth must be allowed for behind the appliance for air to circulate.

The air inlet to the appliance is via the plinth in the housing unit.

The cross section of the air inlet and outlet must be at least 200 cm² to ensure that air can circulate without hindrance. Otherwise the appliance has to work too hard resulting in an increase in electricity consumption and damage to the compressor.

The air inlet and outlet must not be covered or blocked in any way. They should be dusted on a regular basis.

Before installation

- Before installation remove the sealing strip etc. from the outside of the appliance and take any accessories out of the inside of the appliance.
- Remove any cable clips from the rear of the appliance.
- Check that all parts at the rear of the appliance are unhindered.

Installation

Tools required

For installation you will need a screw driver, a cross-slotted screwdriver, a spirit level and a square.

Building into a peninsular run

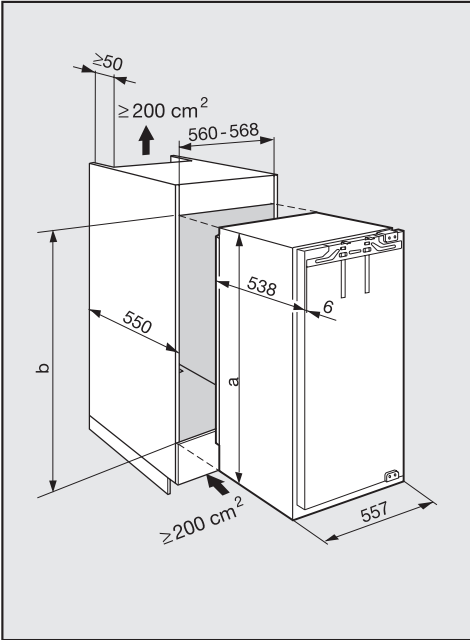
When built into a peninsular run the rear of the building-in niche must be fitted with a kitchen panel.

If the old appliance had a different hinging system

If the old appliance had a different type of hinging the furniture door can still be used. Remove the old hinges from the furniture carcass. They are no longer required, because the furniture door is now fitted to the appliance door. All parts required should be in the accessories pack.

If the furniture door has holes in it from the old hinges, use the enclosed self-adhesive strip to conceal the holes as they are no longer required.

Building in dimensions

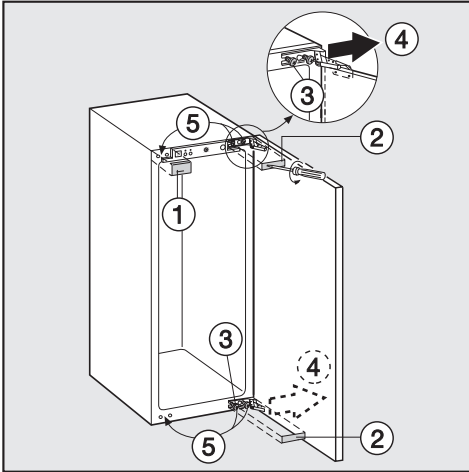


Appliance height [mm]	Niche height [mm]
a	b
1393	1397 – 1410

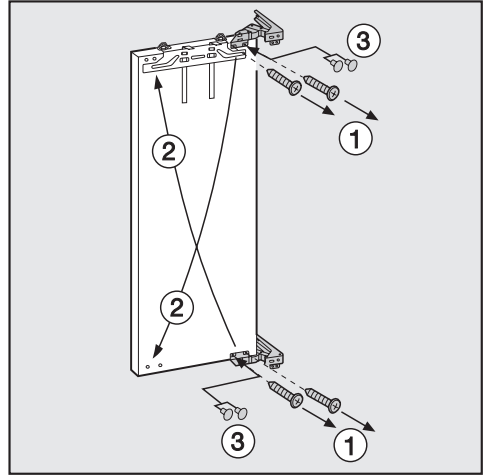
Changing the door hinging

Before building the appliance in decide on the door hinging. If left hand door hinging is required follow these instructions.

- Open the appliance door.



- Remove cover ① by hand and remove ② using a screwdriver.
- Loosen the fixing screws ③ slightly.
- Pull the door off to the right ④.
- Unscrew the fixing screws ③ completely, and loosely screw them into the holes on the opposite side of the appliance ⑤.

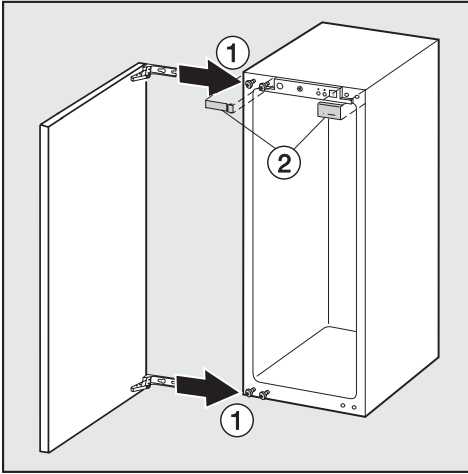


- Unscrew and remove screws ①.

Do not close up the hinges. You might hurt yourself.

- Replace the hinges in their diagonally opposite corners ②.
- Cover the holes using the plugs supplied ④.

Changing the door hinging

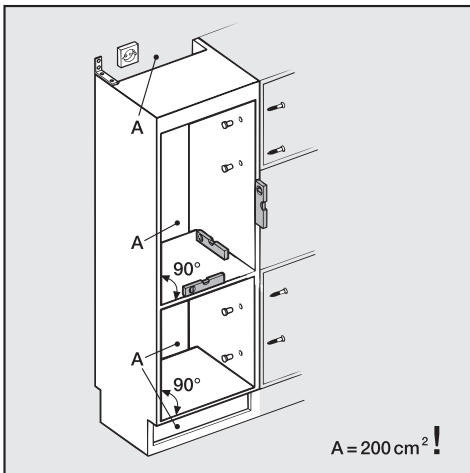


- Fit the appliance door onto the previously fitted screws ①, and then tighten the screws.
- Refit the covers ②.

Building in the appliance

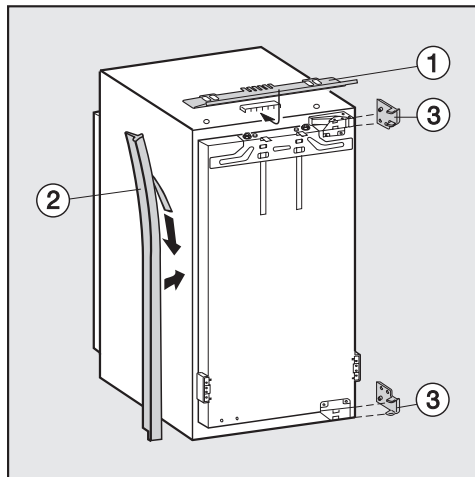
All building in instructions given are for a **right hand hinged** appliance. If you have converted the appliance to left hand hinging you will need to adapt these instructions accordingly.

Align the housing unit



Before installing the appliance the housing unit must be carefully aligned using a spirit level. The unit corners must be at right angles, as otherwise the furniture door will not align correctly with the 4 corners of the appliance.

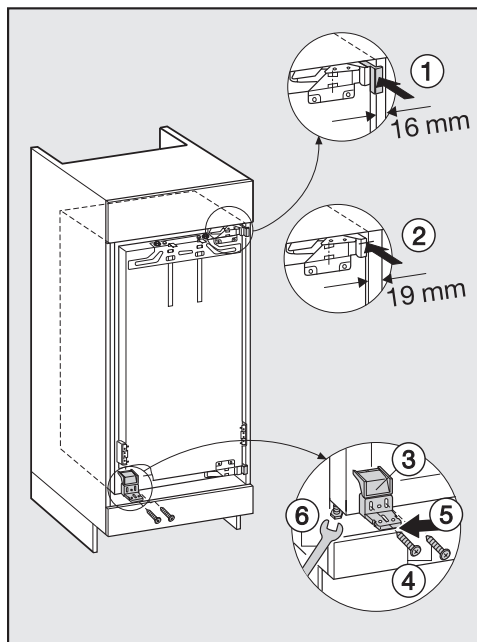
Prepare the appliance



- Fit cover strip ① into position.
- **With 16 mm thick unit walls:** Shorten the sealing strip ② to the height of the niche. Stick the sealing strip to the side of the appliance on which the door is opened. Clip the spacer piece ③ over the hinges.

Building in

- Push the appliance into the niche. Make sure that the mains cable does not get trapped.

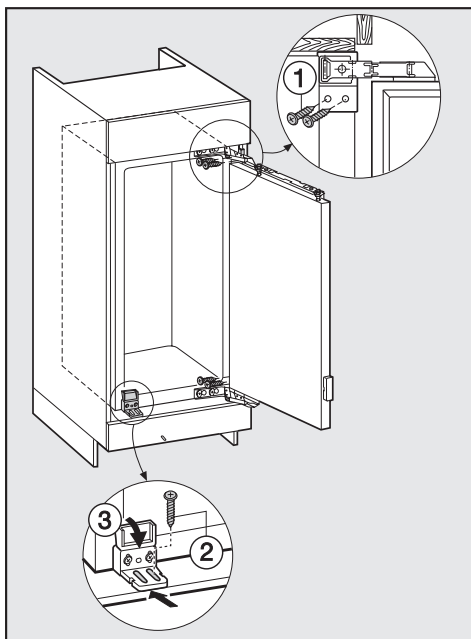


- Depending on the thickness of the appliance housing walls, push the appliance into the niche until – the spacer piece touches the housing unit wall ① (16 mm thick walls), – or the front edges of the hinges are flush with the side walls of the housing unit ② (19 mm thick walls).

The cover strip must **not** protrude in front of the edge of the housing unit. It must disappear completely into the niche.

- Push the hinged side of the appliance to the furniture wall.

- The appliance height can be corrected by altering the adjustable feet using the spanner supplied ⑥.
- Secure plastic bracket ③ to the side opposite the hinges using the M5 x 22 countersunk screws ④.
- Push the appliance in until the plastic bracket is flush with the front edge of the housing unit floor ⑤.

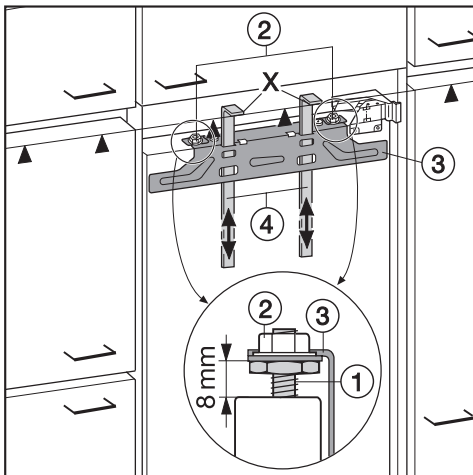


- To fix the appliance to the housing unit at the top and bottom screw the long 4 x 19 mm chip board screws ① loosely into the hinge.
- Screw a long 4 x 19 mm chip board screw ② loosely into the middle of the long slot on the plastic bracket and then turn the plastic bracket ③ downwards.

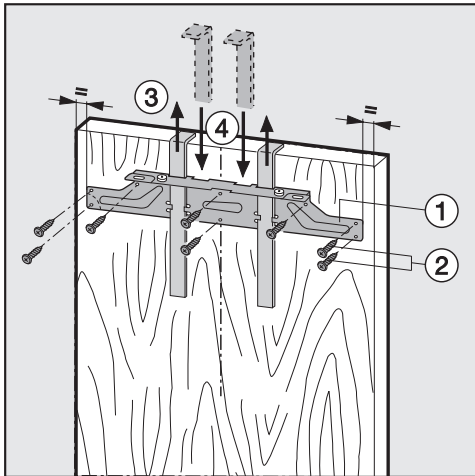
Building in the appliance

- Close the appliance door.

Fitting the furniture door

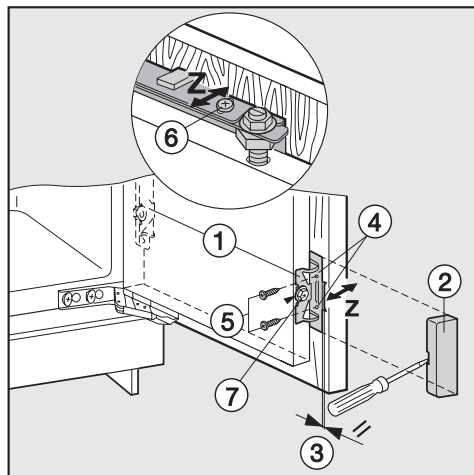
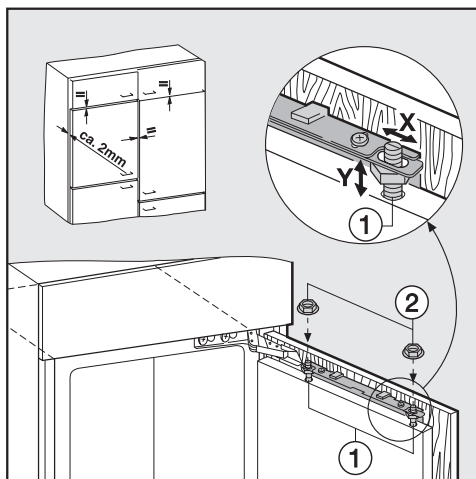


- A gap of 8 mm must be set between the appliance door and the fixing bracket ①.
- Push fitting aids ④ up to the height of the furniture door: The lower edge "X" of the fitting aids must be at the same height as the upper edge of the furniture door being fitted, see ▲ on the diagram.
- Undo nuts ②, and take fixing bracket ③ off together with the fitting aids.



- Using a pencil, mark a line down the centre of the inside of the furniture door.
- Using fitting aids ① hang the fixing bracket on the **inside side** of the furniture door. Align the fixing bracket centrally.
- Attach the fixing bracket securely using at least 6 short 4 x 14 mm chip board screws ②. (On cassette doors only use 4 screws on the edges).
- Pull the fitting aids upwards to remove them ③.
- Turn them round and insert them right into the middle slot on fixing bracket ④.

Building in the appliance

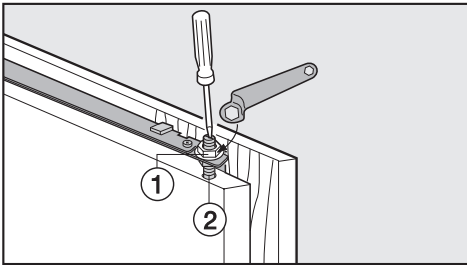


- Hang the furniture door onto adjusting bolts ①.
- Loosely attach the nuts ② on the adjusting bolts.
- Shut the door and check the distance between the door and neighbouring furniture doors.
- Align to match neighbouring doors if necessary:
Side adjustments "X" are made by sliding the furniture door, and height adjustments "Y" are made by turning the adjusting bolts ① with a screwdriver.
- Tighten the nuts ② slightly.
- Use fixing bracket ① to attach the appliance door to the furniture door.
 - Using a screwdriver remove cover ②.
 - Check that the two metal edges ③ are flush (see symbol //).
 - Drill fixing holes ④ and screw in the short 4 x 14 mm chip board screws ⑤.
 - Align depth Z on the furniture door: Loosen the cross-slotted screws ⑥ at the top of the door, and loosen the hexagon headed screw ⑦ on the fixing bracket at the bottom of the door. By moving the furniture door create a gap of 2 mm between the furniture door and front edge of the niche. Close the door and align it with neighbouring furniture doors.

(On large or divided doors attach a second pair of fixing brackets ① in the handle region of the door. Use the pre-drilled holes in the appliance door.)

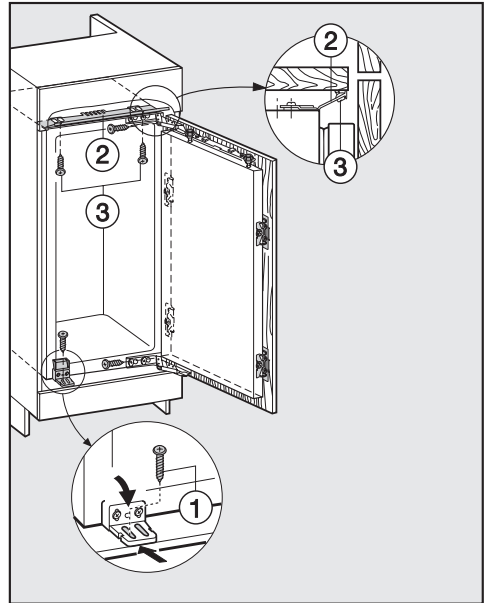
Building in the appliance

Securing the appliance

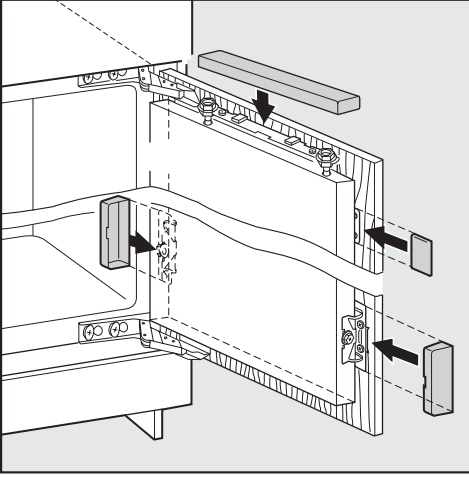


- Whilst counterholding the adjusting bolts ② with a screwdriver, tighten nuts ① at the top of the appliance door.
- Tighten all screws.

Securely screw the appliance to the housing unit at the top and bottom:



- Flap the plastic bracket up and screw a second screw ① through the plastic bracket. Tighten both screws and flap the plastic bracket back down.
- Align the cover strip ② by sliding it parallel to the top of the housing unit. The cover strip must not protrude.
- Secure the cover strip to the top of the housing unit using the short 4 x 14 mm chip board screws ③.



- Place all covers in position.



United Kingdom:

Miele Co. Ltd.

Fairacres, Marcham Road, Abingdon, Oxon, OX14 1TW

tel. Abingdon (01235) 554455 - fax (01235) 554477

Service Office, tel. Abingdon (01235) 554466

Internet: www.miele.co.uk

Australia:

Miele Australia Pty. Ltd., A.C.N. 005635398

1 Gilbert Park Drive, Knoxfield, VIC 3180

Telephone: (03) 9764 7100, Fax: (03) 9764 7129

Miele Australia Pty. Ltd., 3 Skyline Place, Frenchs Forest, NSW 2086

Telephone: (02) 8977 4200, Fax: (02) 8977 4219

Miele Australia Pty. Ltd., 25 Lavarack Avenue, Eagle Farm, QLD 4009

Telephone: (07) 3632 2400, Fax: (07) 3632 2449

Miele Australia Pty. Ltd., 209 Richmond Road, Richmond, SA 5033

Telephone: (08) 8351 8500, Fax: (08) 8354 1717

Distributor Western Australia:

G.B.I. Sales Pty. Ltd., 27-33 Cleaver Terrace, Belmont, WA 6104

Telephone: (08) 9478 0466, Fax: (08) 9478 0470

Distributor New Zealand:

Steelfort Engineering Company. Ltd.

500 Rangitikei Street, Palmerston North, Priv. Bag 11045, NZ

Telephone: (06) 350 1350, Fax: (06) 356 1507

Steelfort Engineering Company Ltd.,

Unit L, 10-20 Sylvia Park Road,

Mt. Wellington, Auckland, NZ

Telephone: (09) 573 1269, Fax: (09) 573 1268